

# SXP™ Laser Screed®



**Leaders In Leveling®**

# The SXP™ Laser Screed®

The Somero eXtreme PlatForm is the newest innovation in concrete placement since the advent of ride-on laser screeds. Somero has once again taken concrete technology to a new level.

Over the past two decades, concrete contractors all over the world have adopted 'wide placement' techniques using Laser Screeds. The result has been a quadrupling of their daily productivity and doubling of their flatness and levelness capabilities. With those come higher profits on the bottom line.

Now, with the SXP, Somero puts the contractor in control. The new PlatForm design allows for quick-change heads, giving the contractor more versatility on the jobsite. As new head designs become available, the SXP becomes even more versatile without becoming obsolete.

Currently the SXP has these heads available:

- eXtremely new 14.5' Head
- eXtremely Productive 12.5' Head
- eXtremely Versatile 8.5' Head
- eXtremely Precise Sub-G Fine-Grader Head

Concrete placement is fast changing. Make the SXP the cornerstone of your placement team and you'll never be left behind!

## Faster

- More robust hydraulic flows allow you to extend/retract the boom faster and extend/retract the stabilizers faster.
- The offset auger and plow reduces overlap which gets you more square feet per pass.
- The improved operator controls enhance your operator's multitasking and function speed.

## Flatter

- The all-new soft-landing feature makes a perfect landing possible on every pass.
- The auger backblade prevents blow-by, which results in the most uniform screed-passes.
- The off-set screedhead prevents 'boilback' on the right side of your screedhead - resulting in a uniform screed pass from left - all the way to the far right.

## Fewer

- Save on labor costs while your crew stays happier focusing on finishing high quality, laser screeded slabs.
- Fewer days on each site
- Finish the day quicker
- Cut labor costs by reducing the hours on site
- More volume per day - increase daily square footages



Somero X-treme PlatForm™

# SXP™ Laser Screed® - High Performance - Customized - Versatile

## 50% More Storage

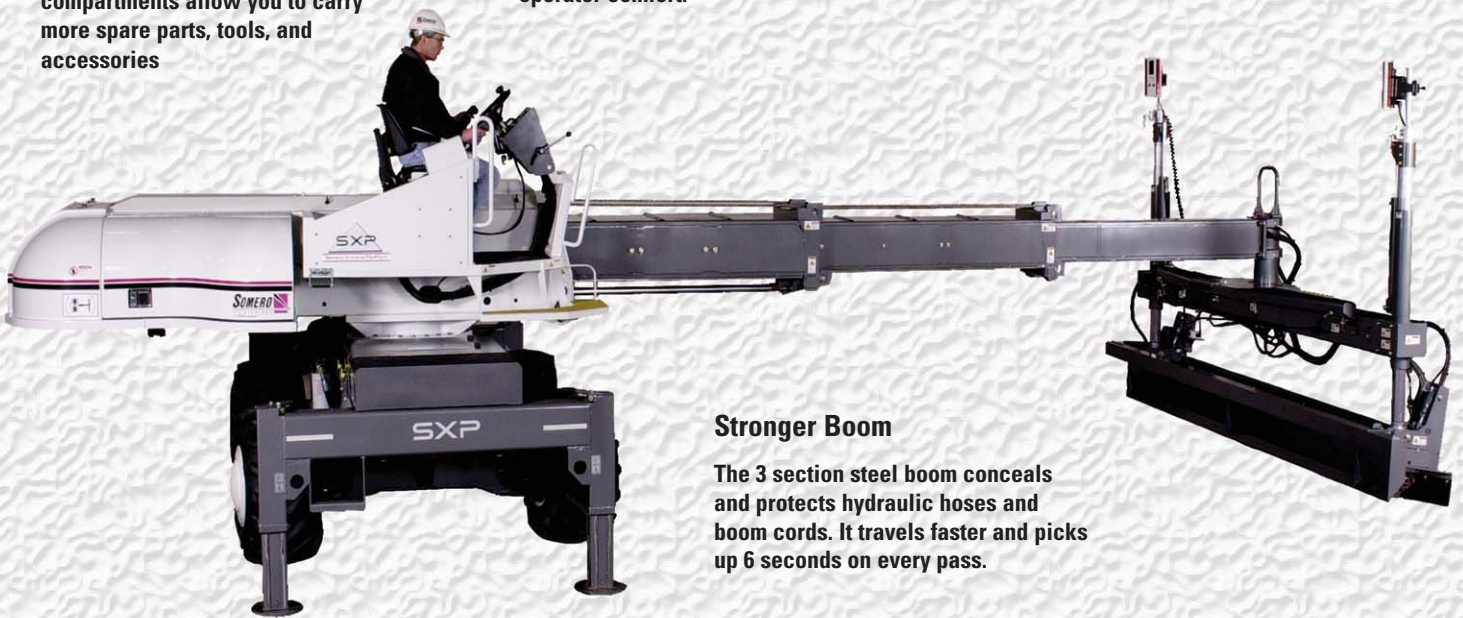
Extra large tool and parts storage compartments allow you to carry more spare parts, tools, and accessories

## Ergonomic Control Station

Completely revamped operator station provides fatigue-free joystick and button locations for easier and more productive operation. Better site lines for enhanced operation and crew communication. Air-ride and heated seat to enhance operator comfort.

## Customized Versatility With Multiple Quick-attach Head Options

Choose a smaller 8' screedhead for complex flow 3D applications, 12' screedhead for normal high production screeding, or the new Sub-G grader-head for precise fine grading.



## Stronger Boom

The 3 section steel boom conceals and protects hydraulic hoses and boom cords. It travels faster and picks up 6 seconds on every pass.

## GCS 'Quartz' Control

All Laser Screeds sold by Somero offer the latest GCS control system for the most accurate and feature-rich operation available. This includes proportional valves.

## 30% More Stable

With the engine and hydraulics in the lower frame, you end up with a more stable machine - easier and safer access for repairs.

## Improved Head Design

Get flatter floors faster with the improved head design.

- rotating screedhead screeds tighter to obstacles
- offset plow auger clears material away further to facilitate less overlap & more per pass productivity
- auger backblade reduces blow-by
- covered vibrator reduces clean-up
- double-flight auger moves material faster and cuts a closer grade.

# SXP Options

## LS-12.5 Foot Screed Head

- Ideal for larger projects
- Greatest productivity head ever produced

## LS-8.5 Foot Screed Head

- Ideal for smaller projects
- Access tight congested areas

## Sub-G - Fine-Grader Head

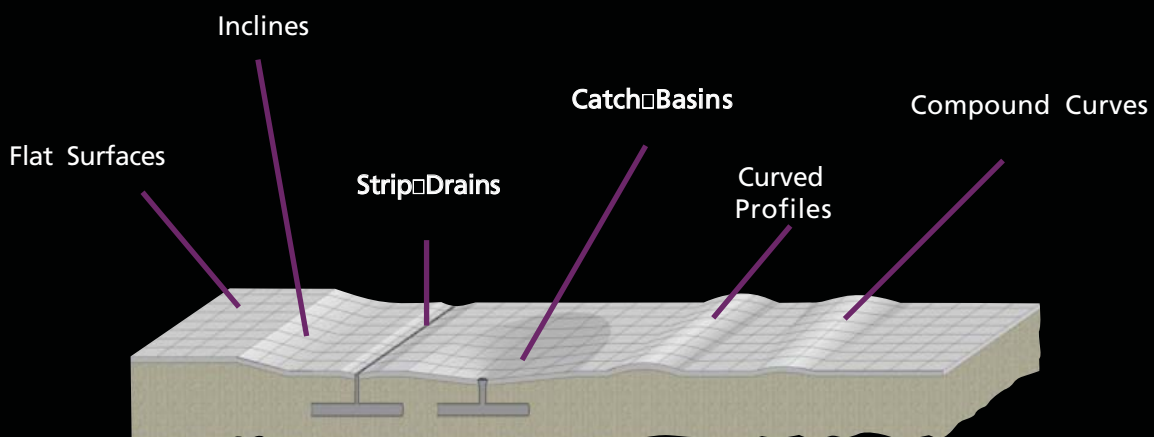
- Quickly interchanges with normal screeding heads
- Ideally suited to 3D fine-grading
- Improves concrete yields when used for 3D applications
- Comes with rolling stand for storage with mobility
- Turn previously wasted concrete cost into profit
- Increase laser screed utilization

## 3-D Profiler™ System

- Screed contoured sites
- Expand your Screed services

## SiteShape™

- 3 Dimensional laser control for easy and accurate site grading.



# SXP™ Laser Screed® Specifications

<b>Overall Width</b>	<b>14' - 7" (4.4m) at screed head 7' - 6" (2.3m) outside of tires</b>
<b>Overall Length</b>	<b>16' - 8" (5.1m) driving with boom extended 34' - 9" (10.6m) screeding with boom extended 28' - 4" (8.6m) transport</b>
<b>Overall Height</b>	<b>8' - 4" (206m) top of steering wheel</b>
<b>Weight</b>	<b>17,200 lbs (7,800 kg)</b>
<b>Boom Reach</b>	<b>20 feet (6 m)</b>
<b>Upper Frame Rotation</b>	<b>360 degrees</b>
<b>Engine</b>	<b>65 HP (48.5 kW) - liquid cooled diesel</b>
<b>Laser Control System</b>	<b>Standard</b>



Corporate Office: 82 Fitzgerald Drive, Jaffrey, NH 03452 • phone: (603) 532-5900 • fax: (603) 532-5930  
Operations & Support: 46980 State Highway M26, Houghton, MI 49931 • phone: (906) 482-7252 • fax: (906) 483-2774  
Visit our website at [www.somero.com](http://www.somero.com)